



Extended Capacity Outsert Module

FEATURES AND BENEFITS

- ECOM™ significantly increases the amount of time an outsert applicator can run without operator assistance
- Filled trays of outserts are unloaded into the angled powered tray magazine
- Loading outserts into the finger-safe conveyance system is ergonomic, safe and easy
- Covered or sleeved trays are not required which saves material cost
- Interfaces with the MGS TopSserter II™, SideWinder™ or certain other OEM machines
- No change parts are required
- Construction adheres to ANSI/PMMA B155.1 standards and cGMP guidelines
- The ECOM™ is a self-contained module that may field install without validation
- Handles trayed outserts up to 1m in length

Extended Capacity Outsert Module

Standard Machine Features

- Powered handling of outsert stacks
- HMI touchscreen
- Motorized height adjustment
- Stacklight alarm system
- Tool-less changeover
- Powder coated tubular welded frame

Optional Features

- Motorized height adjustable stand
- AIR: 80 PSI Filter & Regulator Provided

Maximum Speeds

- Automatic unloading of up to 10 trays per minute

Typical Utility Requirements

- ELECTRICAL: 230 VAC 1 or 3 Ph, 50/60 Hz
- AIR: 80 PSI Filter & Regulator Provided

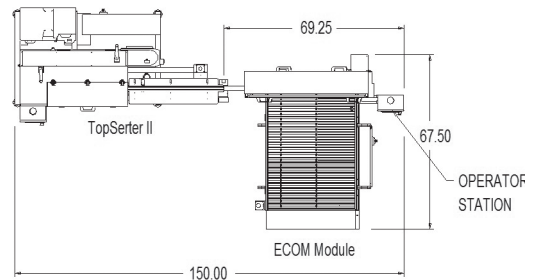
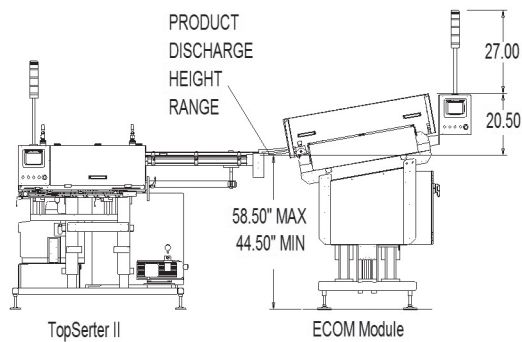
Product Size Range

Outserts:

- Min: 1 1/8" x 1 1/8" x 1/16"
- Max: 1 1/2" x 1 1/2" x 1 1/2"

Tray Lengths:

- Min: 16"
- Max: 39"



MGS

9900 85th Ave North, Maple Grove, MN 55369 USA

T (800) 790-0627

www.mgsmachine.com

info@mgsmachine.com

