



## Literature Inspection Module

### FEATURES AND BENEFITS

- Removes potential human error with literature scanning
- Inspects literature on line or pre-inspects batches
- Compatible with most outsert identification devices: barcode scanners, vision and smart sensors
- Compact and portable for flexibility and easy positioning on various packaging lines
- Lockable reject bin and catch tray available
- Allen Bradley Touch Screen HMI
- Standard construction incorporates a sanitary design suitable for pharmaceutical installations
- Standard air cylinder drive offers a virtually maintenance free motion control and drive system
- Smooth pivot rod motion creates a steady placement
- Quick and easy product changeover means less downtime and greater machine efficiency
- Many options available, allowing the end user to customize the machine to their specific needs

# Literature Inspection Module

## Typical Utility Requirements

- ELECTRICAL: 115 VAC 10 Amps Max (with optional low noise vacuum pump)
- AIR: 80 PSI Filter and regulator provided

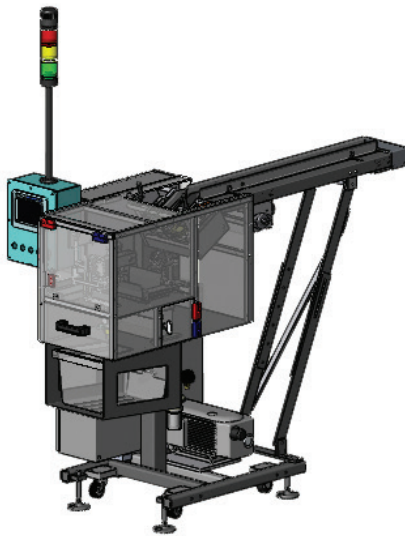
## Maximum Speeds

- Up to 60 cycles per minute

## Product Size Range

Minimum:  $\frac{3}{4}$ " x  $1\frac{1}{8}$ " x  $\frac{1}{16}$ " thick

Maximum: 7" x 7" x 1" thick



## Options Available

- Batch counting cycle mode
- Machine orientation LH or RH
- Barcode scanner
- Good product tray
- 30 or 48" long magazines
- Validation counters for:
  - Total number of pieces fed
  - Total number of rejects
  - Total number dispersed
- Quick change magazines
- Low noise vacuum pump
- Venturi vacuum system
- Floor stand: Stainless steel tubing, painted tubular or C-channel stainless steel
- Screw height adjustment
- Photoelectric cycle control
- Polycarbonate front guard
- Missed outsert detection system
- Kwik Klip™ assemblies
- Casters
- No tool magazine changeover
- Lockable reject bin
- 21 CFR Part 11 compliance
- PC based HMI
- Touch Screen HMI

## MGS

9900 85<sup>th</sup> Ave North, Maple Grove, MN 55369 USA

T (800) 790-0627

[www.mgsmachine.com](http://www.mgsmachine.com)

[info@mgsmachine.com](mailto:info@mgsmachine.com)

