



Intermittent Motion Cartoner

FEATURES AND BENEFITS

- Rates up to 80 cartons per minute
- Small footprint for better space utilization
- Touch screen user interface provides ease of operation and graphical machine feedback
- Direct drive servo-based design reduces maintenance, provides greater accuracy at high speeds and simplifies changeover
- Variety of infeed product handling solutions
- Powered carton magazine provides ergonomic material loading
- Standard carton pre-break eliminates carton setup failures
- Captured main flight chains ensure squareness of cartons
- Quick change tooling reduces changeover time and ensures the quality of the first product out
- Robust design allows 24/7 operation
- Construction adheres to ANSI/PMMA B1.55.1 standard and cGMP guidelines
- Available pharmaceutical validation assistance documentation reduces commissioning efforts

Intermittent Motion Cartoner

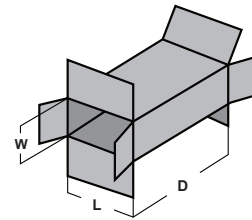
Carton Styles

- Economy or full overlap glue end
- Straight tuck
- Reverse tuck
- Fifth panel cartons

CARTON PITCH	LENGTH (L)	WIDTH (W)	DEPTH (D)	MAXIMUM SPEEDS
4.5"	0.75 - 3 in 19 - 76 mm	0.50 - 3.5 in 13 - 90 mm	2 - 8 in 51 - 203 mm	80 PPM
6"	0.75 - 4.5 in 19 - 114 mm	0.5 - 4.5 in 13 - 114 mm	2 - 8 in 51 - 203 mm	70 PPM
7.5"	0.75 - 6 in 19 - 152 mm	0.5 - 4.5 in 13 - 114 mm	2.5 - 8 in 64 - 203 mm	60 PPM
12"	0.75 - 10 in 19 - 254 mm	0.5 - 4.5 in 13 - 114 mm	2.5 - 8 in 64 - 203 mm	50 PPM

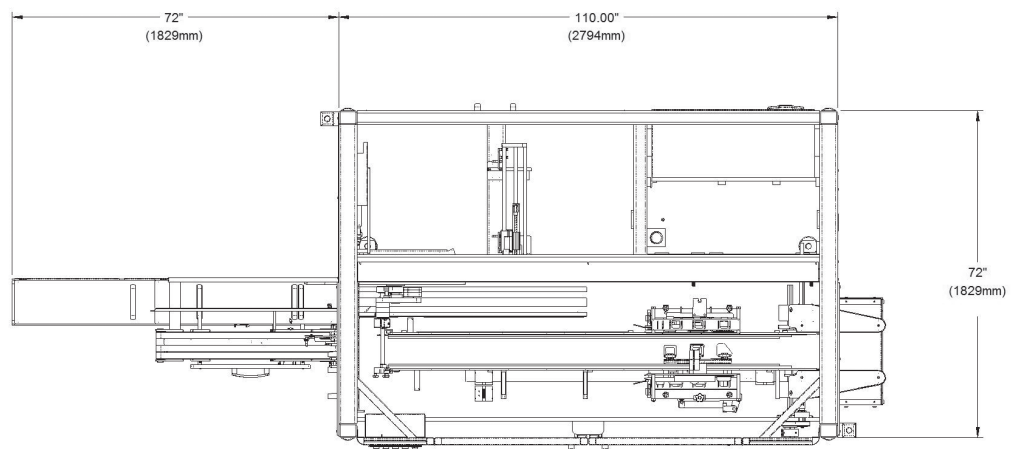
Base Machine

- Carton Magazine: 40" long, powered, horizontal
- Carton Opening: oscillating rotary carton setup system with vacuum pre-break
- Product Loading: Single axis servo or pneumatic loader
- Carton Closing: Tuck and/or hot melt glue
- No Tool Changeover: Drop-in style magazine mask and plows and guides, phaseable flights, quick release handles, digital indicators and mounted scales
- Operator Interface: Allen-Bradley touchscreen
- Logic and Motion Control System: Allen-Bradley
- Welded and ground powder coated steel frame with rigid backplane for balcony style product transport system
- Power: 230 VAC, 3 Phase, 50-60 Hz
- Air: 10 CFM @ 80 PSI typical



Optional Features

- Insert feeding
- Open flap detection
- Embossed coding/Inkjet printing
- Vision verification
- Barcode verification
- Pharmaceutical validation assistance documents
- Remote diagnostics
- Illumaguard®



MGS

9900 85th Ave North, Maple Grove, MN 55369 USA
 T (800) 790-0627
www.mgsmachine.com
info@mgsmachine.com

